



LUNKENHEIMER®

LVC Forged Steel Check Valves (Class 800) are available with bolted covers having spiral wound gaskets made of Stainless Steel/graphite. The check valves are available in Piston Check or Swing Check valve designs.



Bolted Cover Check Valve

Check Valve Design and Specifications:

LVC Forged Steel Check Valves conform to MSS-SP-118 and ASME B16.34. Each valve is tested in accordance with API 598 and marked per MSS SP 25

Construction:

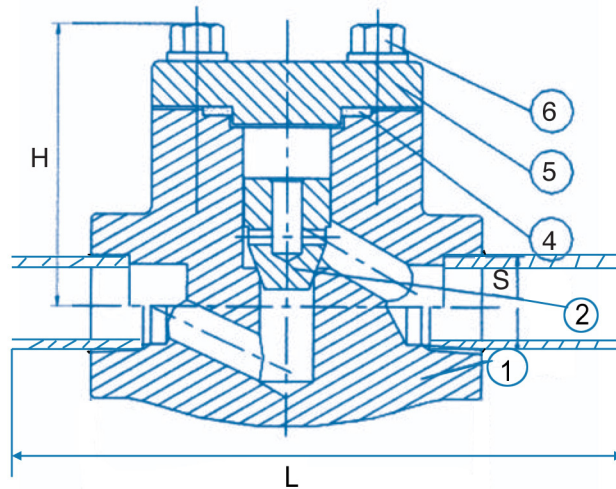
- Available as Piston or Swing Check Valves
- Bolted Cover
- Conventional or full port
- Socket weld ends to ASME B16.11
- Threaded ends to ANSI/ASME B.1.20.1
- Lift and Swing Check Valves for horizontal service only
- Swing Check Valves offer higher Cv values
- Guided disc in valve body provides accurate sealing alignment
- Welded bonnet check valves are optional

LUNKENHEIMER

Lunkenheimer Cincinnati Valve Company
P.O. Box 141451 • Cincinnati, OH 45214
Phone: 513-471-8258 • Fax: 513-471-8327
Email: sales@lunkenheimercvc.com

Engineering Data

Forged Steel Check Valves - Class 800



Size		S (Socket)		L	H	Wt (lbs)
Regular	Full	Reduce	Full			
1/4"	–	0.55	–	3.11	2.40	3.3
3/8"	1/4"	0.69	0.56	3.11	2.40	3.3
1/2"	3/8"	0.86	0.69	3.11	2.40	3.3
3/4"	1/2"	1.07	0.86	3.62	2.40	4.0
1"	3/4"	1.33	1.07	4.37	3.07	5.1
1-1/4"	1"	1.68	1.33	4.72	3.31	8.6
1-1/2"	1-1/4"	1.92	1.68	5.98	4.06	12.4
2"	1-1/2"	2.41	1.92	6.77	4.65	20
–	2"	–	2.41	7.87	5.20	28

No.	Part Name	Materials		
1	Body	ASTM A105	A182 F304	A182 F316
2	Disc	F6 (Stellite optional)	A182 F304	A182 F316
4	Gasket	Graphite + 304		Graphite +316
5	Cap	ASTM A105	A182 F304	A182 F316
6	Cover Bolt	ASTM A193 B7	ASTM A193 B8	
Other materials are available upon request				