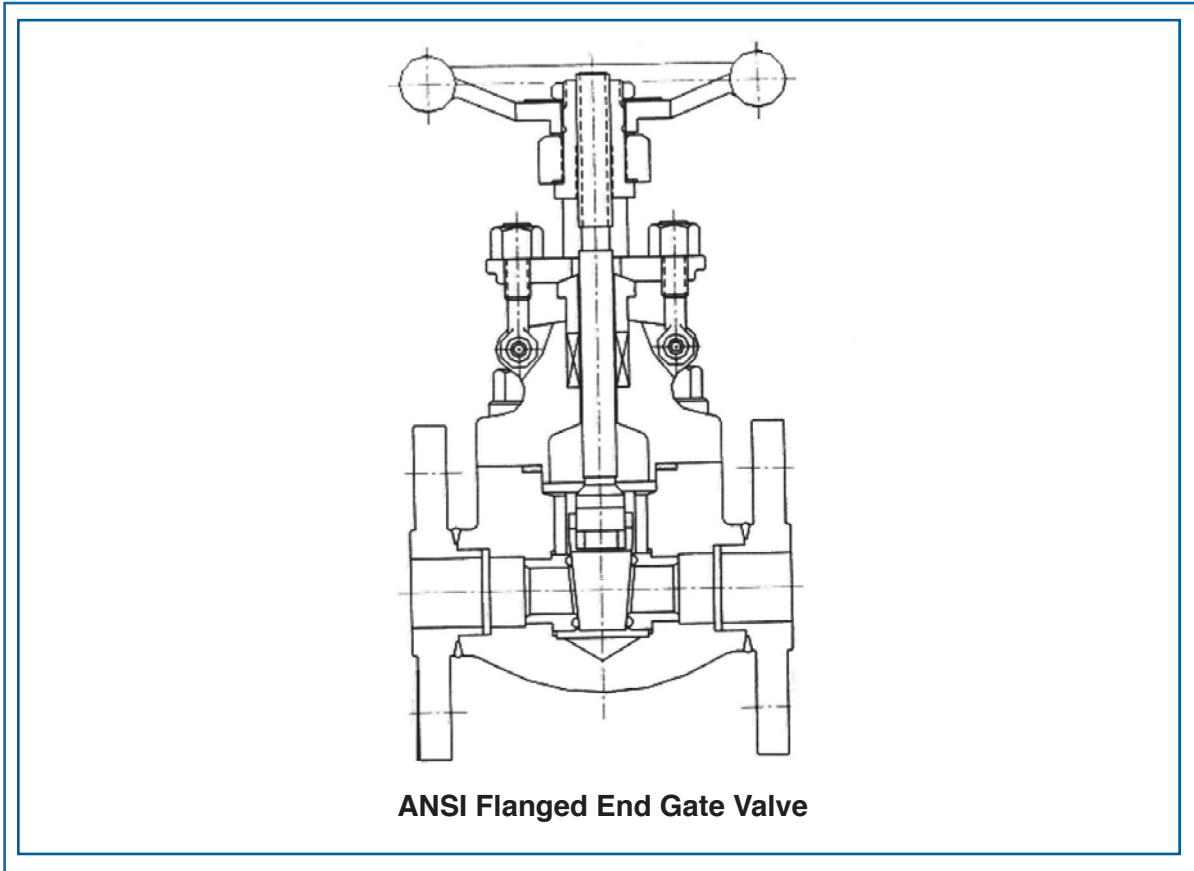




# LUNKENHEIMER®

LVC Forged Steel Gate Valves (Class 150, 300, and 600) are available with welded ANSI Class 150, 300 and 600 flanged ends.



### Gate Valve Design and Specifications:

LVC Forged Steel Gate Valves conform to API 602 and ASME B16.34. Each valve is inspected and tested in accordance with API 598 and marked per MSS SP25.

### Construction:

- LVC Forged Steel Gate Valves conform to ANSI B16.5 and ANSI B16.10 end to end dimensions
- Stem seal consists of flexible graphite packing with anti-extrusion rings
- Two piece self-aligning packing gland
- Handwheel is rugged with knobs to provide positive grip
- Full range of actuators and accessories to meet automation requirements
- Impactor handwheel or chainwheels are available as an option
- Available in carbon, stainless steel and other materials

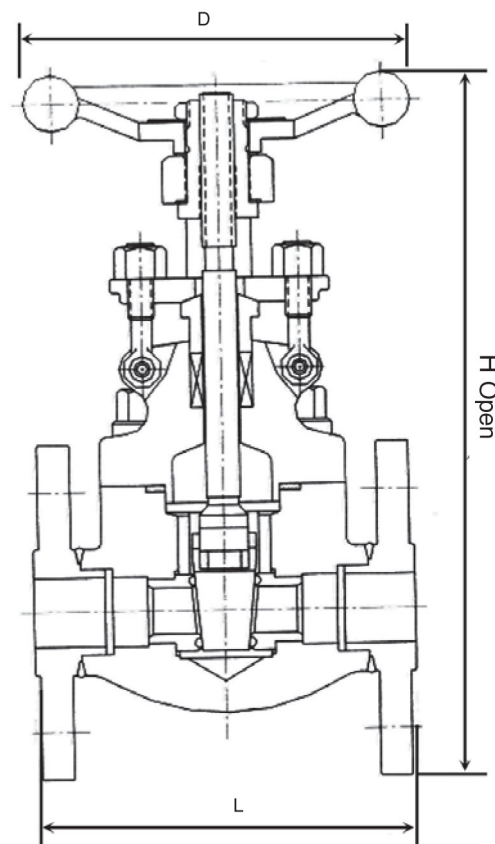
# LUNKENHEIMER

Lunkenheimer Cincinnati Valve Company  
P.O. Box 141451 • Cincinnati, OH 45214  
Phone: 513-471-8258 • Fax: 513-471-8327  
Email: [sales@lunkenheimercvc.com](mailto:sales@lunkenheimercvc.com)

# Engineering Data

## Forged Steel Gate Valves - Class 150, 300 & 600

No.	Part Name	Materials			
1	Body	A105	A182 F304	A182 F316	F11, 22
2	Seat	410 (stl)	304 (stl)	316 (stl)	410 (stl)
3	Wedge	13 Cr. (stl)	A182 F304	A182 F316	13 Cr. (stl)
4	Stem	F6	A182 F304	A182 F316	F6
5	Gasket	Stainless Steel / Grafoil			
6	Bonnet	A105	A182 F304	A182 F316	F11, 22
7	Bonnet Bolt	A193-B7	A193-B8		A193-B7
8	Packing	Grafoil			
9	Gland	A276 410	A182 F304	A182 F316	A276 410
10	Gland Flange	A181	A182-F304		A181
11	Pin	A276-410			
12	Gland Bolt	A193-B8			
13	Gland Nut	A194-2H	A194-B8		A194-2H
14	Stem Nut	A276-410			
15	Washer	A176-430			
16	Handle Wheel	A197			
17	Name Plate	A666-304			
18	H.W. Nut	A276 410			



Class 150 Conventional Port (1/16" Raised Face)				
Size	L 150	H Open	D Handwheel	Wt (lbs)
1/2"	4.25	6.12	3.50	7.94
3/4"	4.62	6.30	3.50	9.48
1"	5.00	7.97	4.00	13.23
1-1/2"	6.50	9.90	5.75	26.46
2"	7.00	11.24	7.00	37.70
Class 300 Conventional Port (1/16" Raised Face)				
Size	L 300	H Open	D Handwheel	Wt (lbs)
1/2"	5.50	6.12	3.50	8.82
3/4"	6.00	6.30	3.50	12.13
1"	6.50	7.97	4.00	15.66
1-1/2"	7.50	9.90	5.75	31.09
2"	8.50	11.24	7.00	41.23
Class 600 Conventional Port (1/4" Raised Face)				
Size	L 600	H Open	D Handwheel	Wt (lbs)
1/2"	6.50	6.12	3.50	11.47
3/4"	7.50	6.30	3.50	14.99
1"	8.50	7.97	4.00	18.52
1-1/2"	9.50	9.90	5.75	35.72
2"	11.50	11.24	7.00	48.73

We reserve the right to make revisions to literature without notice