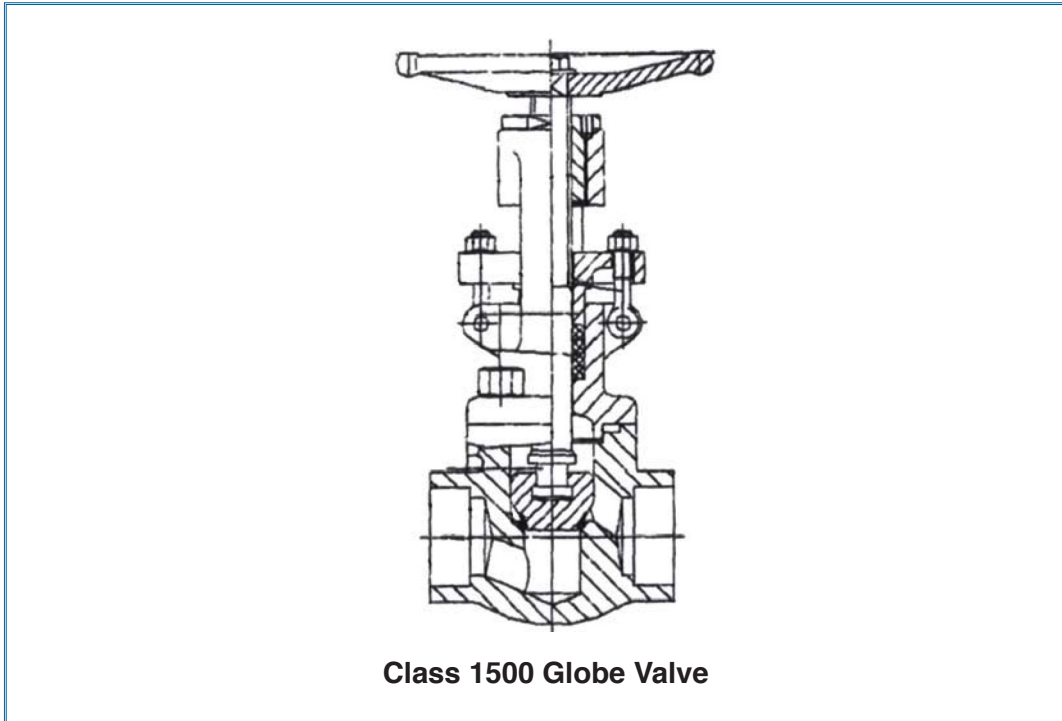




# LUNKENHEIMER®

LVC Forged Steel Class 1500 Globe Valves are available in bolted or welded bonnet designs with bolted bonnets having spiral wound gaskets of Stainless Steel / Graphite.



### Globe Valve Design and Specifications:

LVC Forged Steel Globe Valves conform to ASME B16.34 and BS-5352. Each valve is inspected and tested in accordance with API 598 and marked per MSS SP-25.

### Construction:

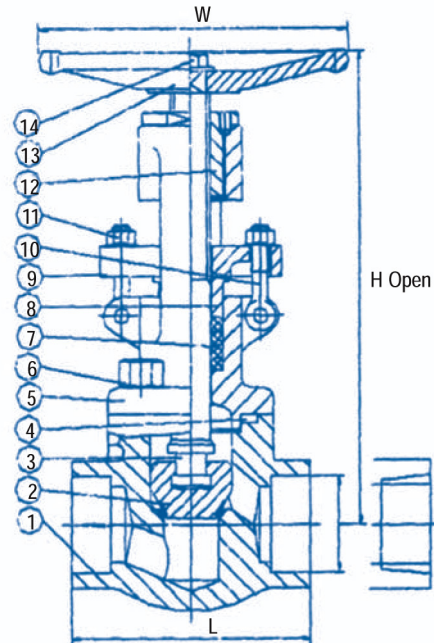
- Disc and stem connection designed for regulated flow
- Two piece self aligning packing gland
- Stem seal consists of flexible graphite packing with anti-extrusion rings
- Socket weld ends to ASME B16.11
- Threaded ends to ANSI / ASME B1.20.1
- Optional impactor handwheels and chainwheel operators
- Available in sizes 1/4" through 2"
- Available in carbon steel, stainless steel and alloy materials
- Full range of actuators and accessories available to meet automation needs

# LUNKENHEIMER

Lunkenheimer Cincinnati Valve Company  
P.O. Box 141451 • Cincinnati, OH 45214  
Phone: 513-471-8258 • Fax: 513-471-8327  
Email: [sales@lunkenheimercvc.com](mailto:sales@lunkenheimercvc.com)

# Engineering Data

## Forged Steel Globe Valves - Class 1500



No.	Part Name	Materials		
1	Body	ASTM A105	A182 F304	ASTM A182 F316
2	Disc	ASTM F6 (stellite optional)	A182 F304	ASTM A182 F316
3	Stem	F6	A182 F304	ASTM A182 F316
4	Gasket	Graphite + 304	Graphite + 316	
5	Bonnet	ASTM A105	A182 F304	ASTM A182 F316
6	Bonnet Bolt	ASTM A193 B7	ASTM A193 B7	
7	Stem Packing	Reinforced Graphite		
8	Gland	ASTM A276 410	ASTM A182 F304	ASTM A182 F316
9	Gland Flange	ASTM A276 WCB	ASTM A182 F304	ASTM A182 F316
10	Gland Bolt	ASTM A193 B7	ASTM A193 B8	
11	Gland Nut	ASTM A194 2H	ASTM A194 B8	
12	Stem Nut	ASTM A276 410	ZcuA110Fe3	
13	Handwheel	ASTM A197		
14	Handwheel Lock Nut	ASTM A194 2H	ASTM A194 B8	
Other materials are available upon request				

Size	L	W	H (open)	Wt (lbs)
1/4"	4.37	4.92	8.15	9.26
3/8"	4.37	4.92	8.15	9.26
1/2"	4.37	4.92	8.15	9.26
3/4"	4.37	4.92	8.15	9.48
1"	5.11	6.30	9.45	14.0
1-1/4"	5.98	6.30	10.15	19.0
1-1/2"	6.77	7.09	11.42	27
2"	8.66	7.87	13.27	38