



LUNKENHEIMER®

LVC Forged Steel Globe Valves (Class 800) are available in bolted or welded bonnet designs with bolted bonnets having spiral wound gaskets made of Stainless Steel / Graphite



Bolted Bonnet Globe Valve

Globe Valve Design and Specifications:

LVC Forged Steel Globe Valves conform to ASME B16.34 and BS 5352. Each valve is inspected and tested in accordance with API 598 and marked per MSS SP-25.

Construction:

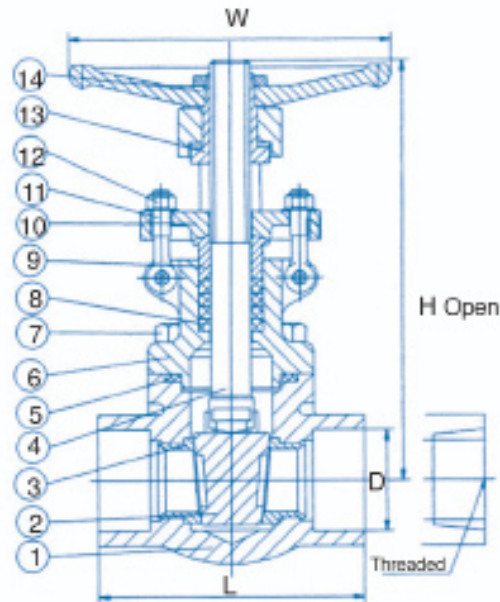
- Disc and stem connection designed for regulated flow
- Two piece self-aligning packing gland
- Bolted or welded bonnet design
- Impactor handwheels and chain wheel operated valves are available as an option
- Stem seal consists of flexible graphite packing with anti-extrusion rings for optimal stem sealing
- Conventional port or full port
- Socket weld ends to ASME B 16.11
- Threaded ends to ANSI/ASME B 1.20.1
- Rugged and knobbed handwheel provides positive grip
- Available in carbon steel, stainless steel and other materials
- Full range of actuators and accessories to meet automation needs

LUNKENHEIMER

Lunkenheimer Cincinnati Valve Company
P.O. Box 141451 • Cincinnati, OH 45214
Phone: 513-471-8258 • Fax: 513-471-8327
Email: sales@lunkenheimercv.com

Engineering Data

Forged Globe Valves - Class 800



No.	Part Name	Materials		
1	Body	ASTM A105	A182 F304	A182 F316
2	Disc	F6 (stellite optional)	A182 F304	A182 F316
3	Stem	F6	A182 F304	316/Graphite
4	Gasket	Graphite +3-4		A182 F316
5	Bonnet	ASTM A105	A182 F304	
6	Bonnet Bolt	ASTM A193 B7		
7	Stem Packing	Reinforced Graphite		
8	Gland	ASTM A276 410	A182 F304	
9	Gland Flange	ASTM A105	A182 F304	
10	Gland Eyebolt	ASTM A193 B7	ASTM A193 B8	
11	Gland Nut	ASTM A194 2H	ASTM A194 B8	
12	Stem Nut	ASTM A1108 1020	ASTM A276 410	
13	Handwheel	ASTM A197		
14	H.W. Lock Nut	ASTM A194 2H	ASTM A194 B8	
Other materials are available upon request				

Size		D (Socket)		L	W	H (Open)	Wt (lbs)
Regular	Full	Regular	Full				
1/4"	–	0.55	–	3.11	3.94	6.02	4.2
3/8"	1/4"	0.69	0.55	3.11	3.94	6.02	4.6
1/2"	3/8"	0.86	0.69	3.11	3.94	6.22	4.6
3/4"	1/2"	1.07	0.86	3.62	3.94	7.55	5.1
1"	3/4"	1.33	1.07	4.37	4.92	9.92	9.3
1-1/4"	1"	1.68	1.33	4.72	6.30	9.92	13.7
1-1/2"	1-1/4"	1.92	1.68	5.98	6.30	11.38	17.2
2"	1-1/2"	2.41	1.92	6.77	7.08	12.99	27.1
–	2"	–	2.41	7.87	7.87	14.57	37.5